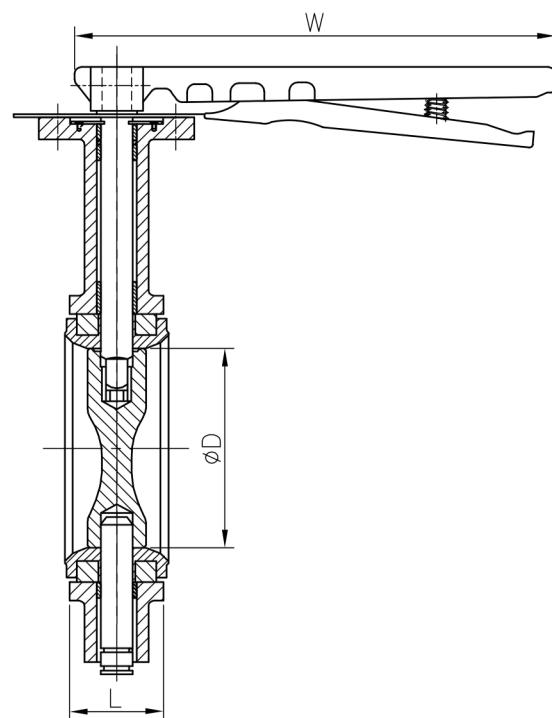
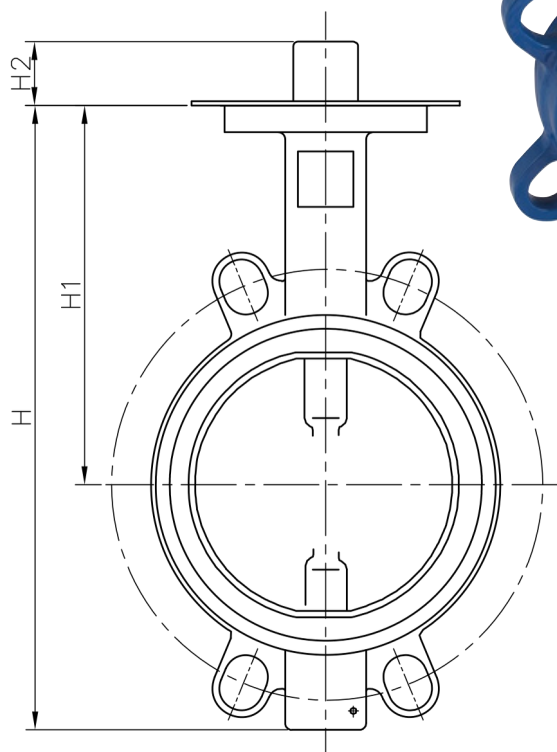
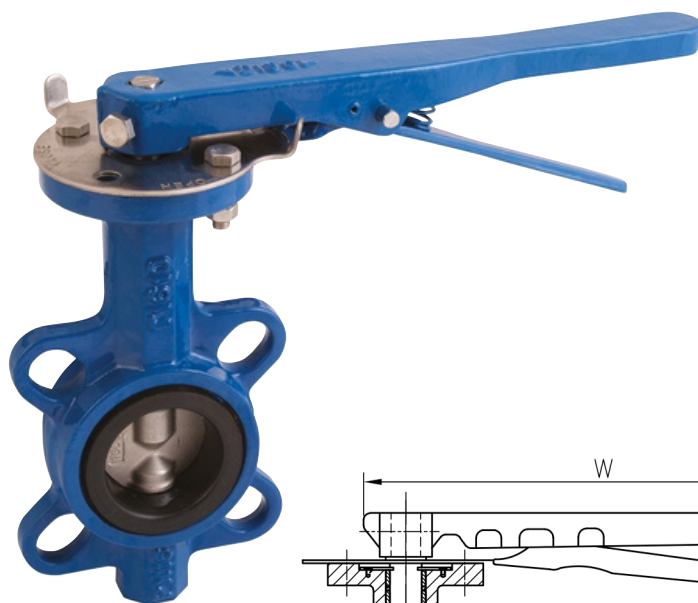


Butterfly Valve WN Data Sheet

- Wafer pattern butterfly valves to suit BS 10 Table D/E, PN6/10/16 and ANSI150 flanges
- Ductile iron body
- Stainless steel disc
- NBR liner



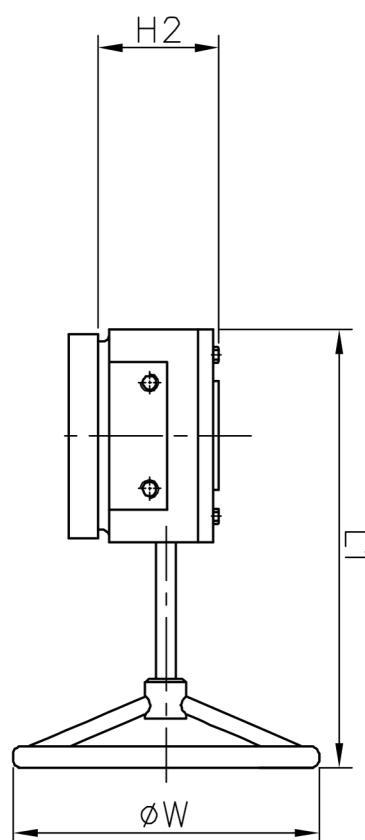
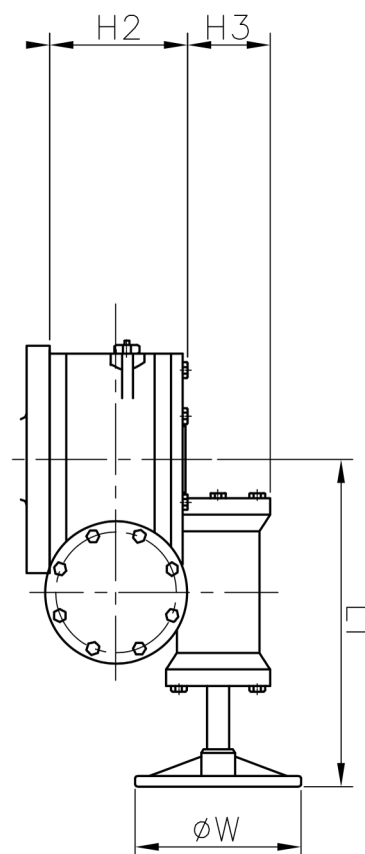
Dimensions

Size	DN	H	H1	H2	ØD	L	W	Torque (Nm) - Excluding Safety	Kg (Lever)	Kg (Gearbox)
1.1/2"	40	185	120	29	42.30	33	215	11	1.83	5.34
2"	50	220	140	29	52.90	43	215	12	2.68	6.19
2.1/2"	65	239	150	29	64.50	46	215	20	3.45	6.96
3"	80	253	158	29	78.80	46	215	30	4.08	7.59
4"	100	289	175	29	104	52	215	50	4.83	9.05
5"	125	317	190	29	123.30	56	215	77	7.34	10.87
6"	150	351	212	29	155.60	56	215	121	8.20	11.73
8"	200	409	235	40	202.50	60	350	242	14.90	29.80
10"	250	468	265	40	250.50	68	350	352	23.80	31.22
12"	300	547	305	40	301.60	78	350	490	-	40.80
14"	350	635	368	40	333.50	78	see page 2	920	-	54.50
16"	400	709	400	36	389.60	102	see page 2	1440	-	89.85
18"	450	762	422	36	440.50	114	see page 2	1780	-	107.40
20"	500	802	440	36	491.60	127	see page 2	2210	-	155.80
24"	600	1017	565	46	592.50	154	see page 2	3980	-	564.10

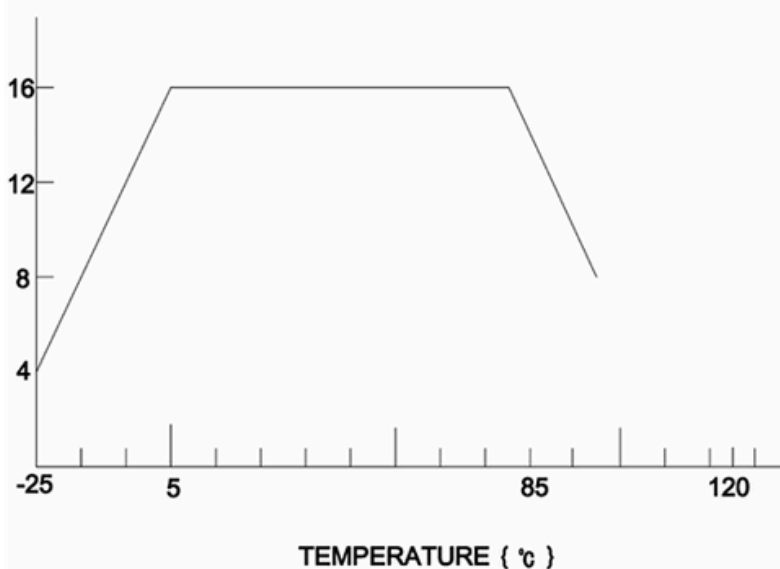
Butterfly Valve WN Data Sheet

Gearbox Dimensions

Size	DN	L1	H2	H3	ØW																						
1.1/2"	40	226	64	-	150																						
2"	50	226	64	-	150																						
2.1/2"	65	226	64	-	150																						
3"	80	226	64	-	150																						
4"	100	226	64	-	150																						
5"	125	226	64	-	150																						
6"	150	226	64	-	150																						
8"	200	313	64	-	300																						
10"	250	313	64	-	300																						
12"	300	313	64	-	300																						
14"	350	313	64 </tr <tr> <td>16"</td> <td>400</td> <td>254</td> <td>110</td> <td>45</td> <td>300</td> </tr> <tr> <td>18"</td> <td>450</td> <td>254</td> <td>110</td> <td>45</td> <td>300</td> </tr> <tr> <td>20"</td> <td>500</td> <td>254</td> <td>110</td> <td>45</td> <td>300</td> </tr> <tr> <td>24"</td> <td>600</td> <td>254</td> <td>110</td> <td>45</td> <td>300</td> </tr>	16"	400	254	110	45	300	18"	450	254	110	45	300	20"	500	254	110	45	300	24"	600	254	110	45	300
16"	400	254	110	45	300																						
18"	450	254	110	45	300																						
20"	500	254	110	45	300																						
24"	600	254	110	45	300																						



NBR: PRESSURE/TEMPERATURE GRAPHS



Butterfly Valve WN Data Sheet

Size	DN	4 - ØM1	ØD4	PCD ØD2	PCD ØD3	ISO 5211	S
1.1/2"	40	10	90	50	70	F05/F07	11
2"	50	10	90	50	70	F05/F07	11
2.1/2"	65	10	90	50	70	F05/F07	11
3"	80	10	90	50	70	F05/F07	11
4"	100	10	90	-	70	F07	14
5"	125	10	90	-	70	F07	14
6"	150	12	90	-	70	F07	14
8"	200	12	125	-	102	F10	22
10"	250	12	125	-	102	F10	22
12"	300	12	125	-	102	F10	22
14"	350	12	125	-	102	F10	22
16"	400	18	175	-	140	F14	27
18"	450	18	175	-	140	F14	27
20"	500	18	175	-	140	F14	36
24"	600	22	210	-	210	F16	46

