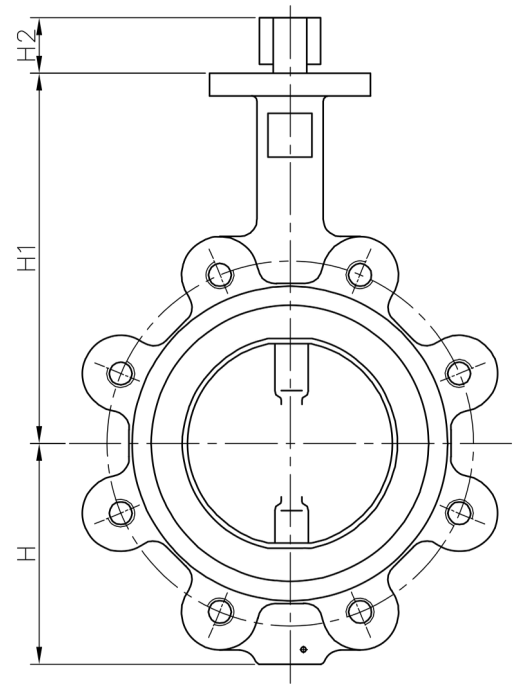
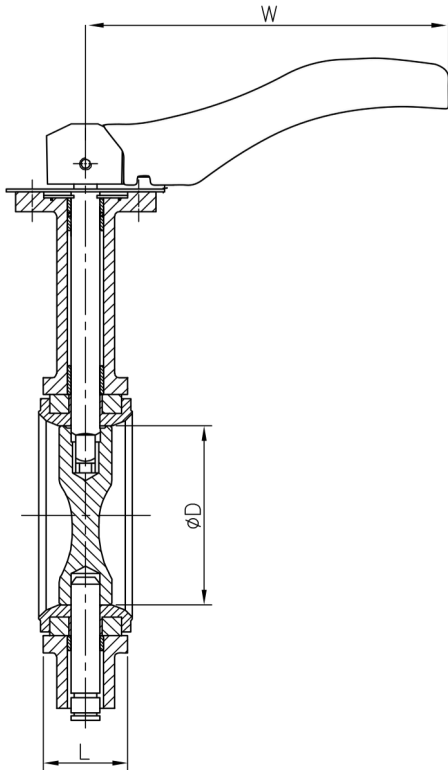


Butterfly Valve LE Data Sheet



- To suit PN16 flanges
- Ductile iron body
- Stainless steel disc
- EPDM liner
- WRAS approved



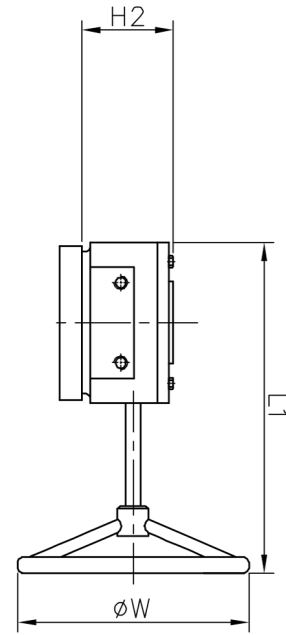
Dimensions

Size	DN	H	H1	H2	ØD	L	W	Torque (Nm) - Excluding Safety	Kg (Lever)	Kg (Gearbox)
1.1/2"	40	65	120	29	42.30	33	215	11	2.70	6.50
2"	50	80	140	29	52.90	43	215	12	4.10	7.40
2.1/2"	65	89	150	29	64.50	46	215	20	4.70	7.80
3"	80	95	158	29	78.80	46	215	30	6.10	9
4"	100	114	175	29	104	52	215	50	7.90	11.40
5"	125	127	190	29	123.30	56	215	77	10.90	13
6"	150	139	212	29	155.60	56	215	121	11.85	16.30
8"	200	175	235	40	202.50	60	350	242	18.50	26.90
10"	250	203	265	40	250.50	68	350	352	31.80	40.50
12"	300	242	305	40	301.60	78	see page 2	490	-	52
14"	350	267	368	40	333.50	78	see page 2	920	-	79.50
16"	400	309	400	36	389.60	102	see page 2	1440	-	123
18"	450	340	422	36	440.50	114	see page 2	1780	-	155
20"	500	362	440	36	491.60	127	see page 2	2210	-	228.50
24"	600	452	565	46	592.50	154	see page 2	3980	-	310

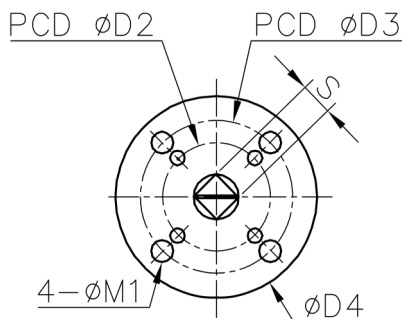
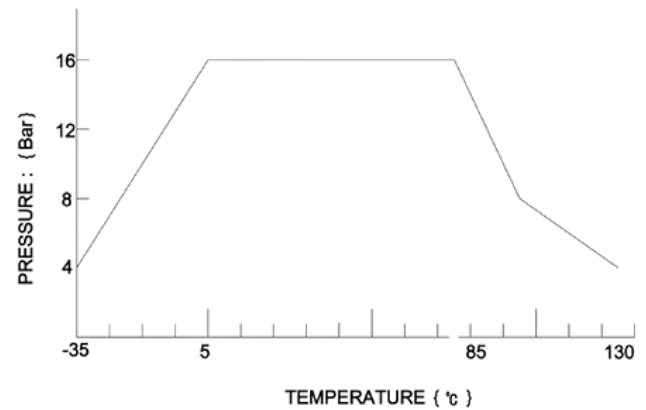
Butterfly Valve LE Data Sheet

Gearbox Dimensions

Size	DN	L1	H2	H3	ØW
1.1/2"	40	226	64	-	150
2"	50	226	64	-	150
2.1/2"	65	226	64	-	150
3"	80	226	64	-	150
4"	100	226	64	-	150
5"	125	226	64	-	150
6"	150	226	64	-	150
8"	200	313	64	-	300
10"	250	313	64	-	300
12"	300	313	64	-	300
14"	350	313	64	-	300
16"	400	254	110	45	300
18"	450	254	110	45	300
20"	500	254	110	45	300
24"	600	254	110	45	300



EPDM: PRESSURE/TEMPERATURE GRAPHS



Size	DN	4 - ØM1	ØD4	PCD ØD2	PCD ØD3	ISO 5211	S
1.1/2	40	10	90	50	70	F05/F07	11
" 2"	50	10	90	50	70	F05/F07	11
2.1/2	65	10	90	50	70	F05/F07	11
" 3"	80	10	90	50	70	F05/F07	11
4"	100	10	90	-	70	F07	14
5"	125	10	90	-	70	F07	14
6"	150	12	90	-	70	F07	14
8"	200	12	125	-	102	F10	22
10"	250	12	125	-	102	F10	22
12"	300	12	125	-	102	F10	22
14"	350	12	125	-	102	F10	22
16"	400	18	175	-	140	F14	27
18"	450	18	175	-	140	F14	27
20"	500	18	175	-	140	F14	36
24"	600	22	210	-	210	F16	46