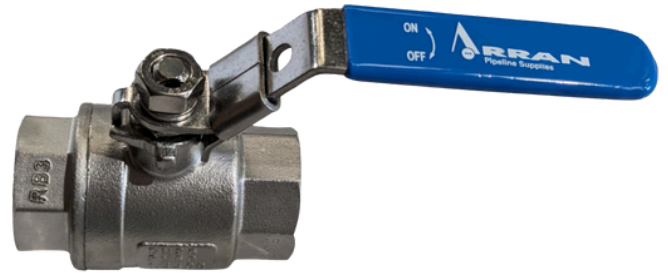
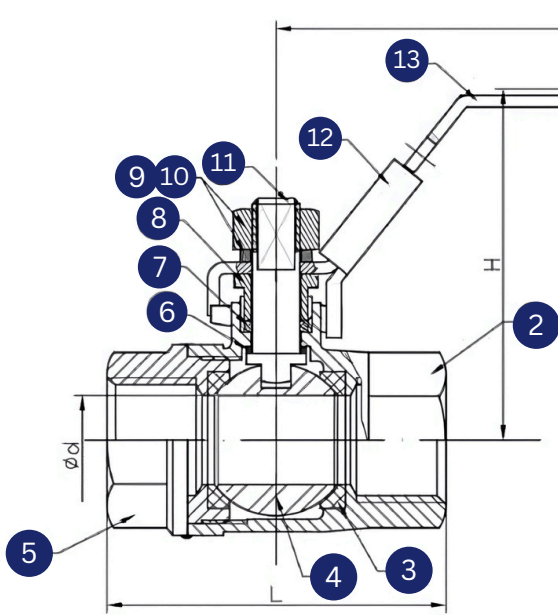


# Bore Ball Valve SS 2-PC BSP Data Sheet



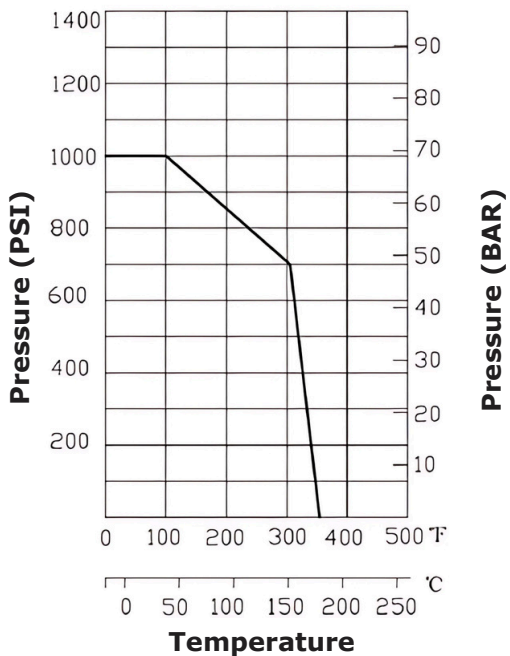
## Features

- Available in size range 1/4"-4"
- BSP Screwed End Connections
- ASTM A351 CF8M (316) Stainless Steel
- PTFE Seats and Seals
- Pressure Balance Hole and Ball Slot
- Slide type Locking Lever

## Pressure/Temperature Specifications

Pressure	1000 psi/g
Temperature	-20°C to +180°C

## Pressure-Temperature Rating



## Accreditations

- CE marked in accordance with the PED 2014/68/EU
- Test standard to API 598
- 3.1 full material test certificates are available.

## Material Specifications

Part	Material	Qty.
1. Handle Cover	PLASTIC	1
2. Body	CF8M	1
3. Ball Seat	PTFE	2
4. Ball	CF8M	1
5. Cap	CF8M	1
6. Thrust Washer	PTFE	1
7. Stem Packing	PTFE	1
8. Gland Nut	304	1
9. Spring Washer	304	1
10. Stem Nut	304	1
11. Stem	316	1
12. Locking Device	304	1
13. Handle	304	1

SIZE	d	L	H	W
1/4"	9.2	54	49	98
3/8"	12.8	54	50	98
1/2"	15	57	50	100
3/4"	20	68	53	100
1"	25	80	68.5	128
1-1/4"	32	91	72.5	128
1-1/2"	38	103	81	143
2"	50	124	99	143
2-1/2"	65	160	119	222
3"	80	185	132	222
4"	100	207	180	335