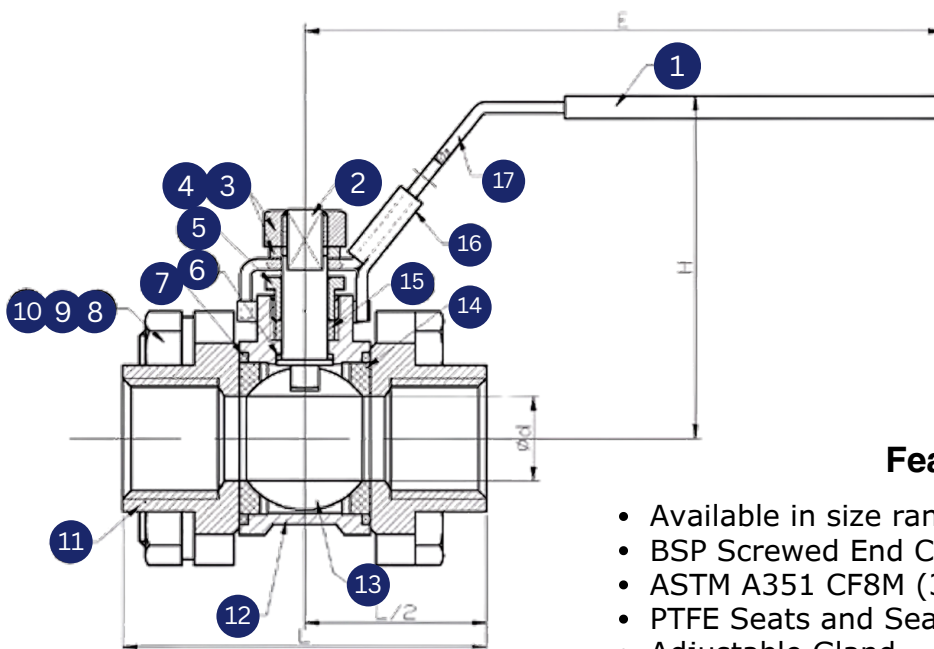


# Ball Valve SS 3-PC BSP Data Sheet



## Features

- Available in size range 1/4"-4"
- BSP Screwed End Connections
- ASTM A351 CF8M (316) Stainless Steel
- PTFE Seats and Seals
- Adjustable Gland
- Slide type Locking Lever

## Pressure/Temperature Specifications

Pressure	1000 psi/g (1/4"-2")
	600 psi/g (2.5"-4")
Temperature	-20°C to +180°C

SIZE	d	L	H	E
1/4"	9.2	59	52	108
3/8"	12.8	60	52	108
1/2"	15	65.5	63	113
3/4"	20	76.5	68	113
1"	25	86.2	79	135
1-1/4"	32	103.1	88	135
1-1/2"	38	118	97	160
2"	50	131.5	108	160
2-1/2"	65	164.6	128	230
3"	80	182.7	140	230
4"	100	217.7	172	335

## Material Specifications

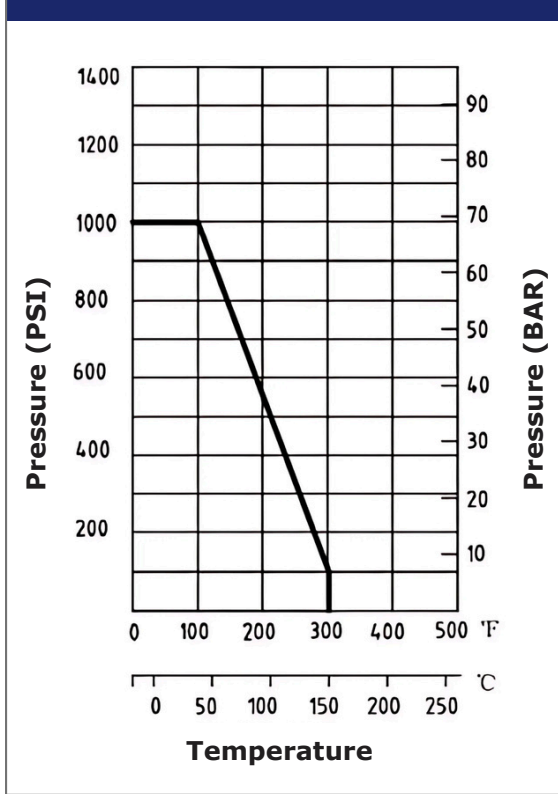
Part	Material	Qty.
1. Handle Cover	PLASTIC	1
2. Stem	316	1
3. Hand Washer	304	1
4. Hand Nut	304	1
5. Gland	304	1
6. Thrust Washer	PTFE	1
7. End Seal	PTFE	2
8. Bolt	304	4
9. Bolt Nut	304	4
10. Bolt Washer	304	4
11. End Cap	CF8M	2
12. Body	CF8M	1
13. Ball	CF8M	1
14. Ball Seat	PTFE	2
15. Stem Packing	PTFE	1
16. Locking Device	304	1
17. Handle	304	1

## Accreditations

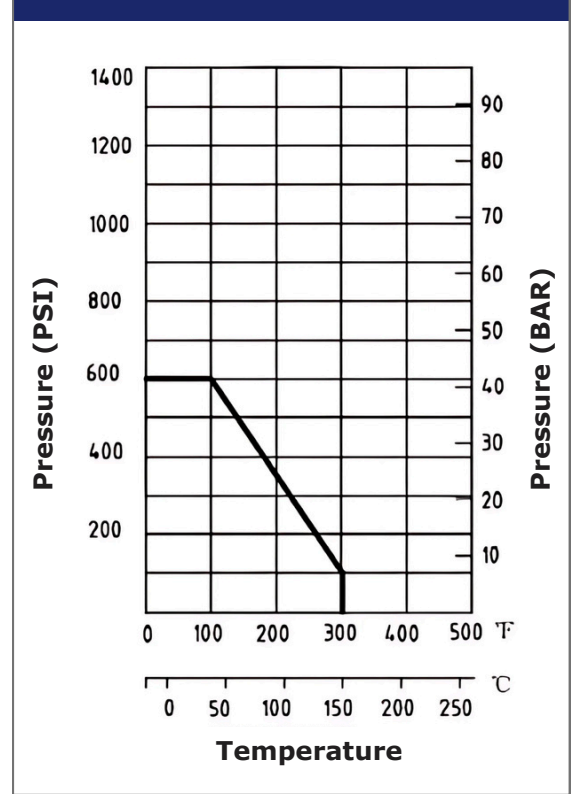
- CE marked in accordance with the PED 2014/68/EU
- Test standard to API 598
- 3.1 full material test certificates are available

# Ball Valve SS 3-PC BSP Data Sheet

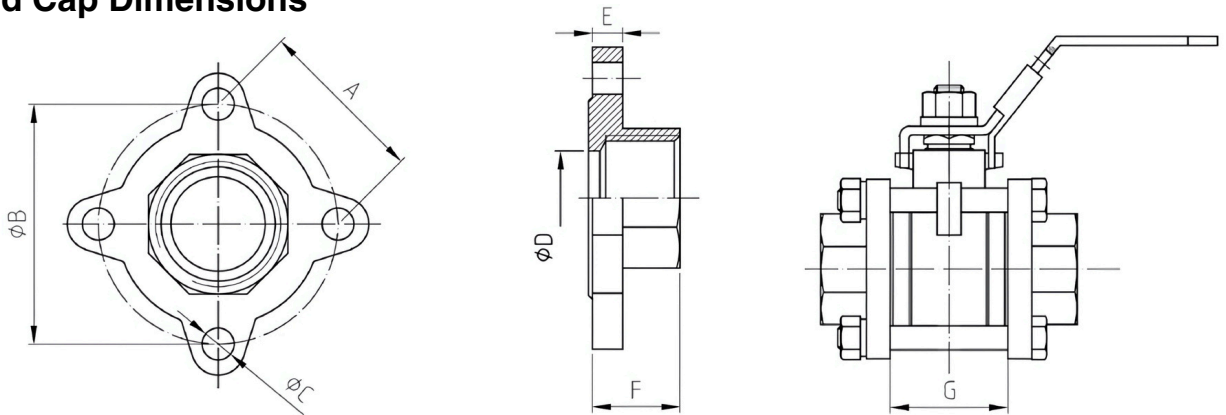
Pressure-Temp Rating for 1/4" - 2"



Pressure-Temp Rating for 2 1/2" - 4"



## End Cap Dimensions



SIZE	A	ø B	ø C	ø D	E	F	G
1/4"	24.8	35	7	9.2	6	18.5	20
3/8"	27.2	38.5	6.5	12.8	6	18	22
1/2"	31.8	45	8.5	15	7	20.1	23.3
3/4"	40	56.7	8.5	20	7	21.85	30.8
1"	45	63.5	8.5	25	8	23.2	37.8
1-1/4"	53	75	8.5	32	9.5	27.5	47
1-1/2"	63.3	89.5	12.5	38	10.5	29.5	57
2"	78.9	111.5	12.5	50	11.5	30.8	68
2-1/2"	98.3	139	15	65	12	37.8	88.1
3"	116.7	165	17	80	14	40.8	100.2
4"	100.3	200.5	19	100	18	48.8	119 .1